

iQ™

MAGNIFIER



The iQ magnifier has a large and lightweight acrylic lens offering a large field of view. The magnifying head moves freely and holds any position - maximising horizontal and vertical movements. The heavy-duty internally sprung arm provides good horizontal reach and will stay in place. A 12 dioptres (4.0X) magnification lens mounted on a swing arm is also included. Lateral protections help you keep it clean. The magnifier is fitted with a removable lens protector.



LIGHT QUALITY



ERGONOMICS



DESIGN

daylightcompany.com



daylight

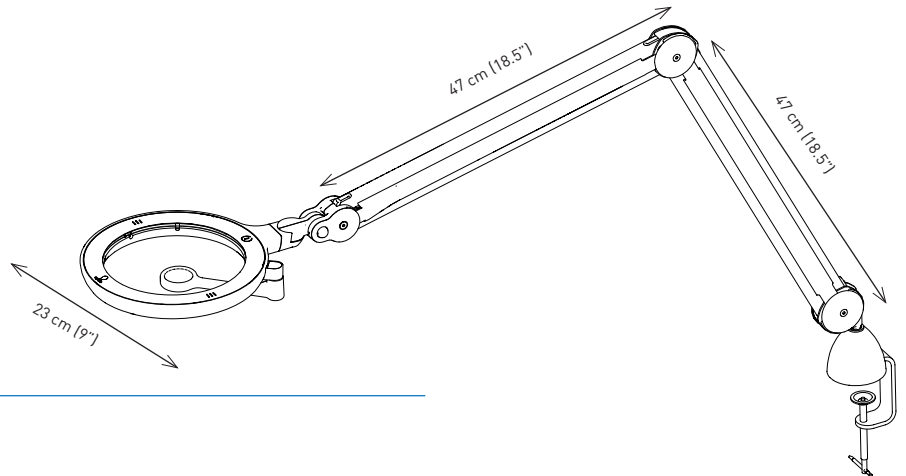
when light matters

LED 6,000°K daylight

6,300 Lux at 15 cm (6")

4 brightness levels

MAGNIFIER



FEATURES

- Ø 17.5 cm
- Acrylic lens with anti-scratch coating, removable lens protector
- 3 dioptres (1.75X) with 12 dioptres (4.0X) swing arm lens
- 4 brightness levels
- Long reach 118 cm (46.5")
- Covered arms with internal springs

SPECIFICATIONS

Product information

Weight	3.6 kg (7.9 lb)
Colour	Grey/white
Cable length	2.5 m (98.4")

Light output

Light source	LED
Lumens	814 lm
Lux at 15 cm (6")	6,300
Colour temperature	6,000°K
CRI	80+
Energy consumption	12W

Packaging information

Height	62 cm (24.4")
Width	53 cm (20.8")
Depth	10.5 cm (4.1")
Packed weight	4.9 kg (10.8 lb)
Products per master carton	2

ACCESSORIES

D53062 Floorstand

Height	72 cm (28.3")
Width	66 cm (25.9")
Weight	8.1kg (17.8lb)

