

Omega 5TM

MAGNIFIER

Fact Sheet



The Omega 5 Magnifier has a 12.7 cm (5") diameter glass lens with 3 dioptres (1.75X) magnification. An additional 5 dioptres (2.25X) magnification lens is also included. It comes with 4 brightness levels to suit your needs. The internal spring arm allows accurate positioning. The aesthetically pleasing white and grey finish fits perfectly within any professional environment.



LIGHT QUALITY



ERGONOMICS



DESIGN



LED 6,000°K daylight

5,500 Lux at 15 cm (6")

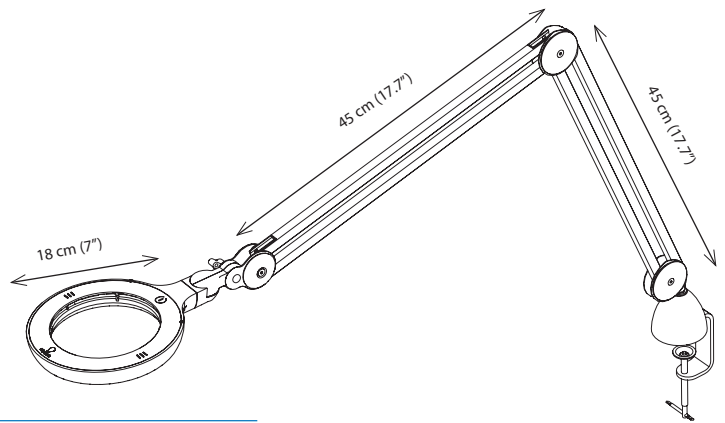
4 brightness levels

daylightcompany.com

Omega 5TM

D25110

MAGNIFIER



FEATURES

- Ø 12.7 cm (5)
- Glass lens
- 3 dioptres (1.75X) and 5 dioptres (2.25X) lenses included
- 4 brightness levels
- Long reach 106 cm (42")
- Adjustable head joint with wing nut

SPECIFICATIONS

Product information

Weight	2.9 kg (6.4lb)
Colour	White/grey
Cable length	2.6m (102.4")

Light output

Light source	LED
Lumens	548 lm
Lux at 15 cm (6")	5,500
Colour temperature	6,000°K
CRI	80+
Energy consumption	8W

Packaging information

Height	42 cm (16.5")
Width	54 cm (21.2")
Depth	10 cm (4")
Packed weight	3.7kg (8.2lb)
Products per master carton	2

ACCESSORIES

D53060 Floorstand

Height	72 cm (28.3")
Width	66 cm (25.9")
Weight	8.1kg (17.8lb)

