

Halo 5D™

MAGNIFIER



5 dioptres magnification (2.25X)
with 12 dioptres inset lens (4.0X)



Perfect for projects requiring close attention to detail. The LEDs circle the magnification lens for consistent lighting over your project. At home or on the go, the powerful lens provides clever magnification, while daylight LEDs offer high colour contrast, so you can perfectly colour-match and whip up the tiniest of projects with ease! The lens can be covered when used as a lamp.

LED 6,000°K daylight

4,000 Lux at 15cm (6")

3 brightness levels



LIGHT QUALITY



ERGONOMICS



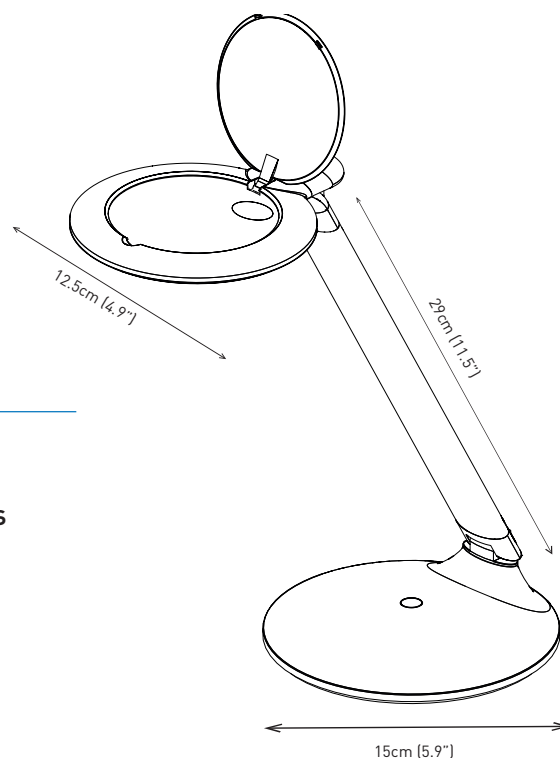
DESIGN

daylightcompany.com

Halo 5DTM

D25200

MAGNIFIER



FEATURES

- Compact design
- 3 brightness levels
- Folds flat
- 9 cm (3.5") diameter lens
- 5 dioptries magnification lens (2.25X)
- 12 dioptries magnification inset lens (4.0X)

SPECIFICATIONS

Product information

Weight	0.7 kg (1.5 lb)
Colour	white / silver
Cable length	2 m (78.7")

Light output

Light source	LED
Lumens	315 lm
Lux at 15cm (6")	4,000
Colour temperature	6,000°K
CRI	80+
Energy consumption	6W

Packaging information

Height	36.5 cm (14.4")
Width	15.5 cm (6.2")
Depth	5.5 cm (2.2")
Packed weight	0.9kg (2lb)
Products per master carton	8